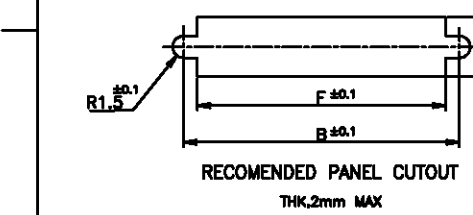
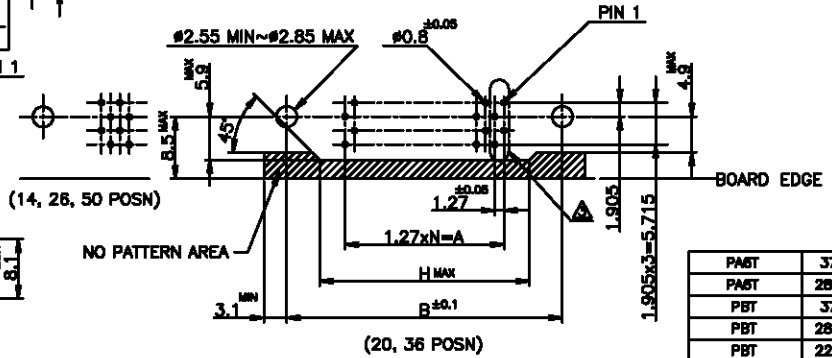
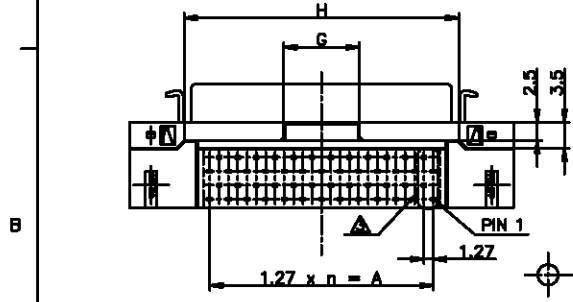
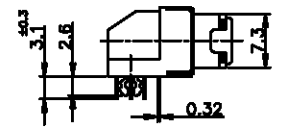
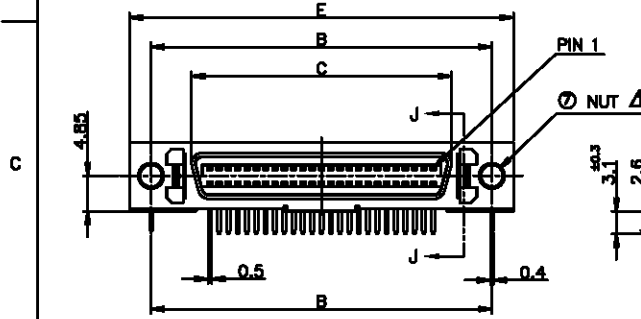
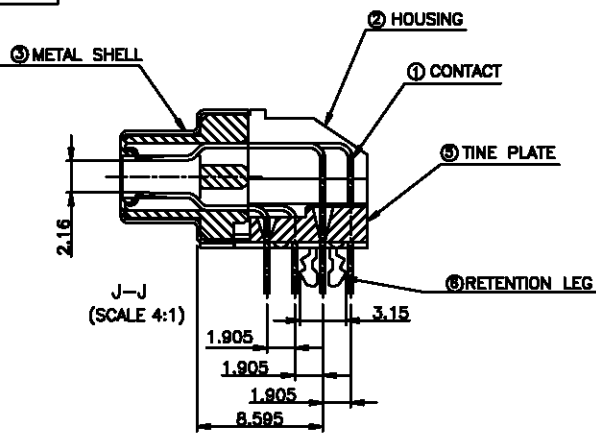
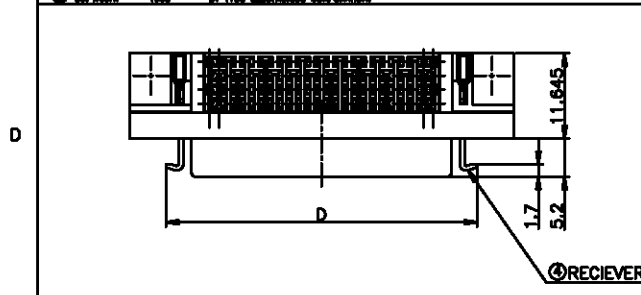


REVISIONS				
REV	DATE	DESCRIPTION	BY	APP
0		RELEASED PER FJBD-1348-04	30NDV04	L.Z. I.E.



ITEM	(MATERIAL)	(FINISH)
①	COPPER ALLOY	NICKEL UNDER PLATE ALL OVER CONTACT AREA : Au(0.0001) SOLDER TINE AREA ; TIN PLATE
② ⑤	PBT OR PA6T	COLOR : PBT BLACK PA6T NATURAL
③	STEEL THK0.25	NICKEL PLATE OVER COPPER UNDERPLATE
④	STAINLESS STEEL	
⑥	COPPER ALLOY	NICKEL UNDER PLATE ALL OVER. TIN PLATING ALL OVER.
⑦	STEEL	NICKEL PLATE OVER COPPER UNDERPLATE

△RECOMMENDED SCREW SIZE ; M2.6 PANHEAD SCREW.(L=5)
 2 RECOMMENDED P.C BOARD THICKNESS ; 1.6mm±0.15
 △POST PATTERN AS SHOWN ON THIS END FOR ALL POSITION.

LEAD FREE

PBT	37.5	10.3	42.8	52.40	42.50	35.48	48.50	30.48	24	50	1-5817738-7
PBT	28.61	8.3	33.9	43.51	33.61	26.59	37.61	21.59	17	38	1-5817738-5
PBT	37.5	10.3	42.8	52.40	42.50	35.48	48.50	30.48	24	50	5817738-7
PBT	28.61	8.3	33.9	43.51	33.61	26.59	37.61	21.59	17	38	5817738-5
PBT	22.26	8.3	27.6	37.16	27.26	20.24	31.26	15.24	12	26	5817738-4
PBT	18.45	8.3	23.8	33.35	23.45	16.43	27.45	11.43	9	20	5817738-2
PBT	14.84	8.3	19.9	29.54	19.84	12.82	23.64	7.62	6	14	5817738-1
HSG MAT'L	H	G	F	E	D	C	B	A	N	POSITION	PART NO.

THIS DRAWING IS A CONTROLLED DOCUMENT.

DESIGNER: LED ZHOU
 CHECKER: STEVEN YAO
 DATE: 2004/04/04

TELEPHONE: 03-5700-1111
 FAX: 03-5700-1112
 E-MAIL: tyco@tyco.com

PRODUCT: AMP
 APPLICATION: AMP

SCALE: 2:1
 SHEET: 1 of 1

Tyco Electronics AMP K.K.
 Kawasaki, Japan

CHAMP.050 SERIES (I)
 FMS-TYPE

SIZE: A2
 ONE CODE: 00779
 DRAWING NO: 5917738

CUSTOMER DRAWING